

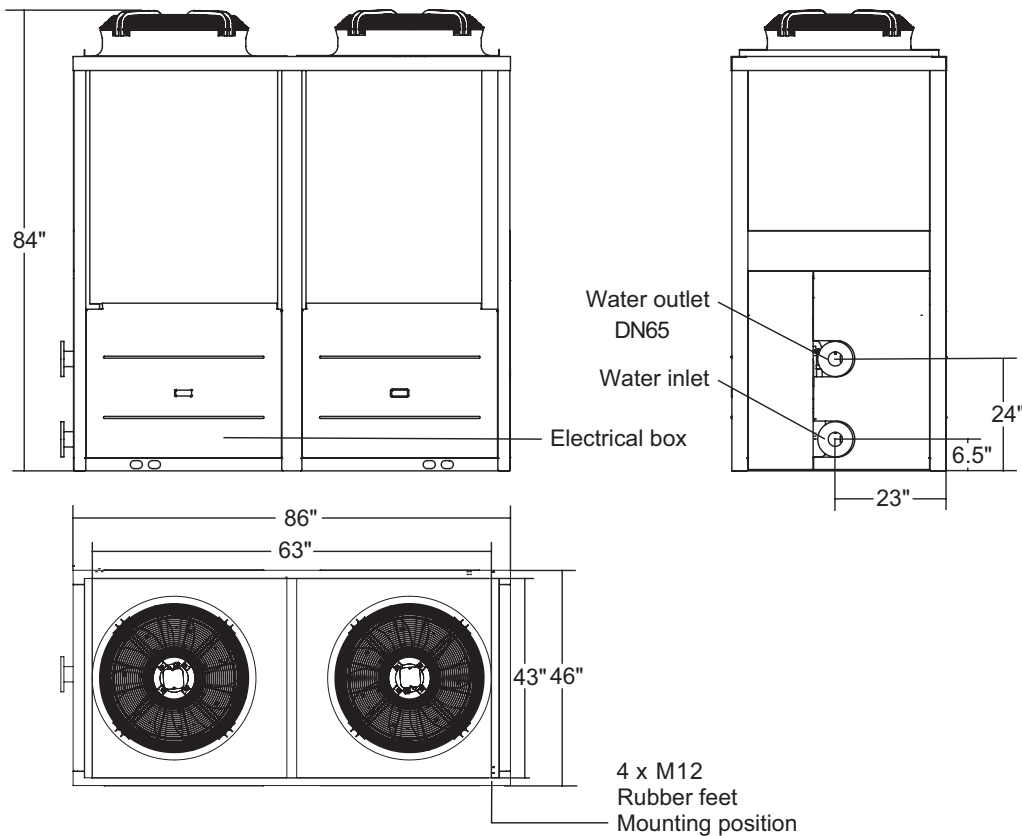
Inverter Air-to-Water Heat Pump

FEATURES AND BENEFITS

- Environmentally Friendly - Green Technology
- Inverter Compressors
- Low Ambient Performance (-20°F)
- EVI Compressor Technology
- Delivered Hot Water to 140°F
- User Friendly Touch Screen Control Platform
- No Refrigerant Handling
- Easily Piped & Zoned
- Built-in Redundancy
- BMS Compatible through Modbus



HP DIMENSIONS (INCHES)



Foot mounting dimensions: 63" x 43"



260 North Elm St., Westfield, MA 01085
(413) 564-5515

7555 Tranmere Drive, Mississauga, ONT. L5S 1L4 Canada
(905) 670-5888

www.rbiwaterheaters.com

PROJECT: _____ DATE: _____

LOCATION: _____

CUSTOMER: _____

ENGINEER: _____

SUBMITTED BY: _____

FOR: Reference Approval Construction

UNIT DESIGNATION: _____

SCHEDULE NUMBER: _____

SUBMITTAL DATA: Commercial Heat Pump HP

HP SPECIFICATIONS

		Units	HP0275
Cooling	Capacity Range	BTU/hr (kW)	74,003-353,225 (22-104)
	Efficiency Range	EER	7.88-18.68
	Efficiency	IPLV	17.1
	Delivered Water Temp Range	°F (°C)	41-86 (5-30)
	Ambient Temp Range	°F (°C)	5-131 (-15-55)
Heating	Capacity Range	BTU/hr (kW)	52,543-541,382 (16-159)
	Efficiency Range	COP	1.46-7.64
	Delivered Water Temp Range	°F (°C)	59-140 (15-60)
	Ambient Temp Range	°F (°C)	-22-109.4 (-30-43)
CEC Data	Cooling Capacity*	BTU/hr (kW)	226,586 (67)
	Cooling Efficiency*	EER	8.95
	Heating Capacity**	BTU/hr (kW)	274,965 (81)
	Heating Efficiency**	COP	2.43
	Heating Capacity***	BTU/hr (kW)	187,254 (55)
	Heating Efficiency***	COP	1.82
Electrical	Power	V/Ph/Hz	460/3/60
	Fan Motor	A	4.0×2
	Compressor Motor	A	23.0×2
	MCA	A	60
	MOPD	A	70
	SCCR	kA	10
Refrigerant	Type		R410A
	Factory Charge	lbs. (kg)	19.84 × 2 (9.0 x 2)
Fan	Quantity		2
	Power Input	W	550
	Type		DC
	Max Speed	RPM	800
Sound (@3meters)	Range	dBA	54-67
Hydronic	Rated Flow	GPM	52.83
	Max Water Temp	°F (°C)	140 (60)
	Piping Connections	inch (cm)	2.5 (6.35)
	Rated Pressure Drop	PSI (ft W.C.)	10.15 (23.3)
Compressor	Type		INVERTER SCROLL, EVI
	Speed Range	Hz	30-120
	Brand		Hitachi
	Quantity		2
Dimensions	Net Dimensions (L x W x H)	inch (cm)	86 × 45 × 84 (217 x 115 x 213)
	Shipping Dimensions (L x W x H)	inch (cm)	87 × 52 × 88 (220 x 133 x 224)
	Net Weight	lbs. (kg)	1616 (733)
	Shipping Weight	lbs. (kg)	1709 (775)

CEC is California Energy Commission. Data is tested in accordance with AHRI 550/590

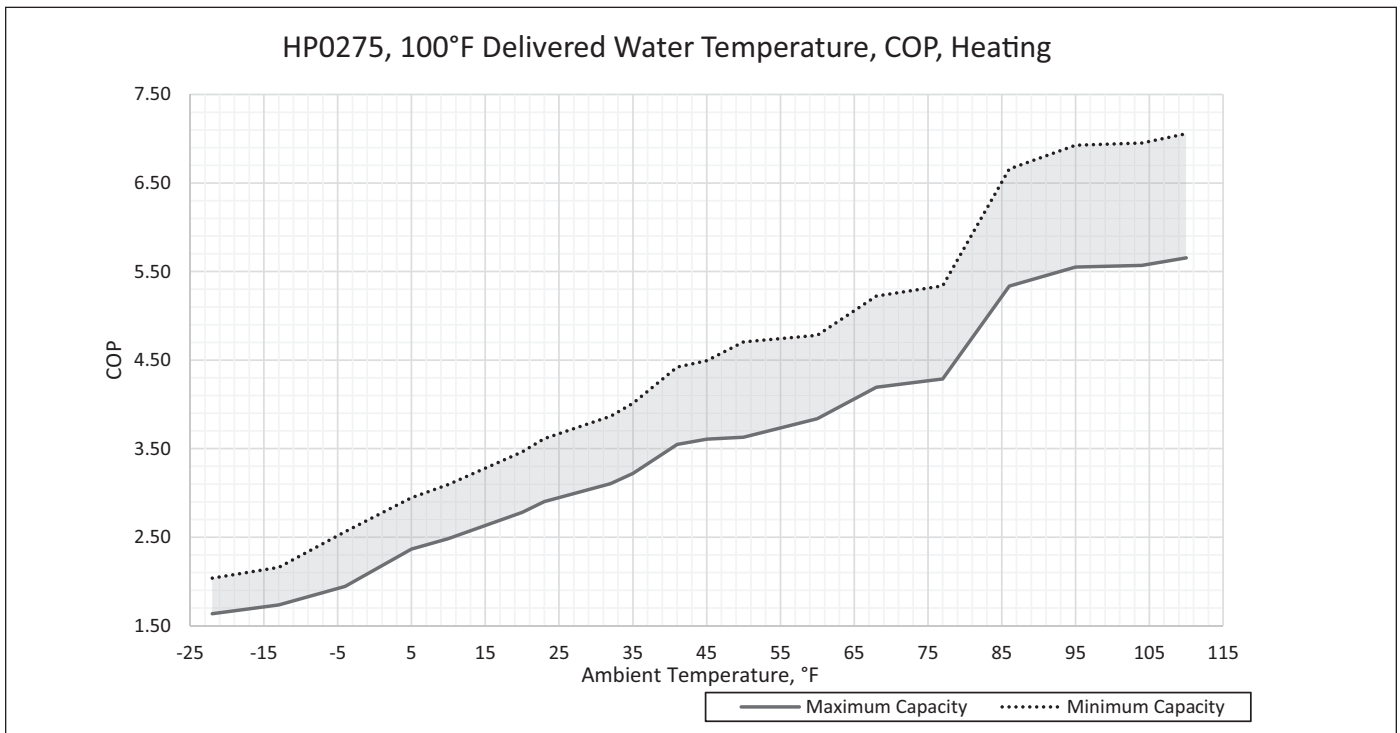
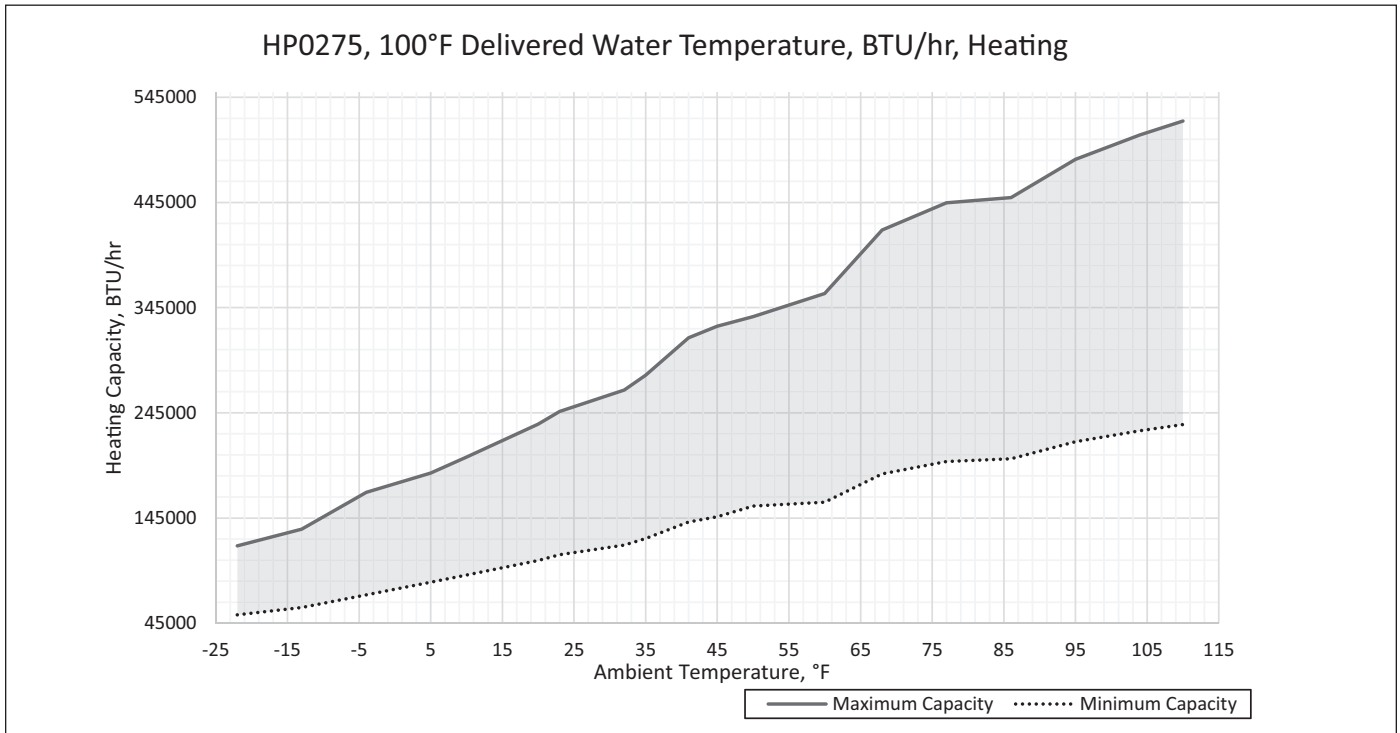
*= 44°F LWT 54°F EWT @45 GPM & 95°F DB Ambient

**= 120°F LWT 107°F EWT @45 GPM & 47°F DB Ambient

***= 120°F LWT 110°F EWT @45 GPM & 17°F DB Ambient

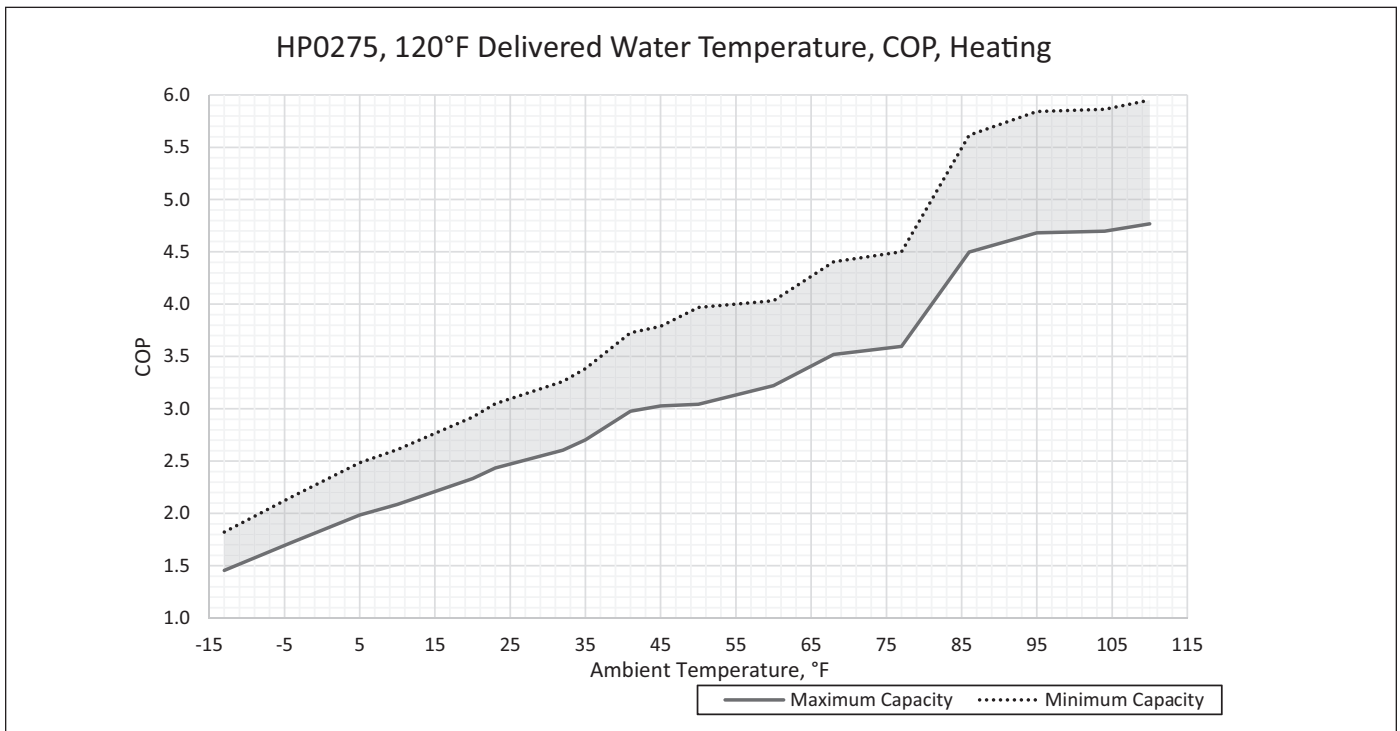
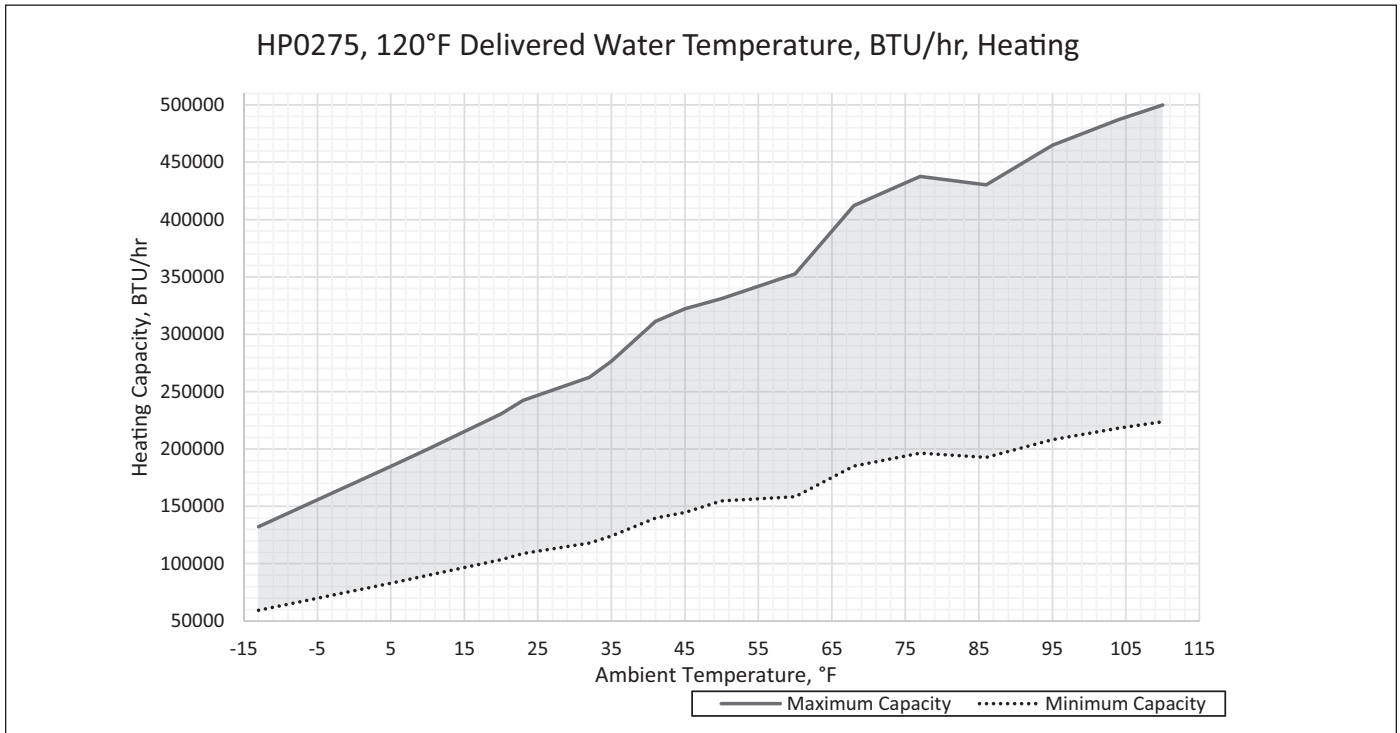
SUBMITTAL DATA: Commercial Heat Pump HP

HEATING PERFORMANCE



SUBMITTAL DATA: Commercial Heat Pump HP

HEATING PERFORMANCE



For additional performance data, scan or click.

